

REDWALL Laser Scan Detector
RLS-3060L



The REDSCAN RLS-3060 is an innovative laser scan detector. It can detect a moving object's size, speed, and distance from the detector and process that information with a unique algorithm, which results in hi-reliability detection of people with minimal false alarms.

When vertical detection area is selected, it creates a maximum 60m (200ft.) detection area that functions like an invisible wall. When horizontal detection area is selected, it creates a detection area with a radius of maximum 30m (100ft.) and an arc of 190°.

The RLS-3060L is a low cost, high performance advanced intrusion device with four adjustable detection zones and linked outputs for PTZ camera control. It brings detection solutions for: fence line, building protection, rooftop, and narrow boundary zone with simplified controls for easy set up.

FEATURES

- 30m radius for 190 degrees range
- Vertical and horizontal mounting
- Unique detection algorithm
- Form C master alarm output
- Automatic area setting function
- Environmental disqualification circuit
- Anti-rotation function
- Anti-masking function
- 4 independently adjustable detection areas and 4 linked outputs for PTZ camera control (on Analog connection and IP connection)
- Fog cancellation algorithm (Patent listed)
- Trouble output
- Tamper output
- Analog (Dry contact) & IP connection
- Environmental resistance function
- Non detection area adjustment
- Scene selection (Outdoor and Indoor)

OPTIONS

- LAC-1 Laser area checker
- RLS-PB Pole mount bracket
- RLS-SB Adjustable angle mounting bracket

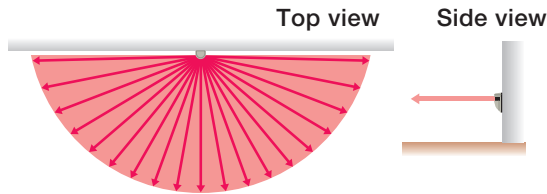
SPECIFICATIONS

Model	RLS-3060L	
Detection method	Infrared Laser Scan	
Laser protection class	Class 1	
Coverage	Vertical area	Max. 60 m (Approx. 200 ft.) at 10% reflectivity
	Horizontal area	Radius:30m (Approx. 100 ft.), Arc:190° at 10% reflectivity
Detection resolution	0.25°	
Communication port	Ethernet ,RJ-45 ,10BASE-T/100BASE-TX	
Protocol	UDP, TCP/IP *Redwall Event Code	
Power input	24 VDC 24 VAC	
Current draw	400mA max. (24VDC) 600mA max. (24VAC)	
Mounting height	Vertical area	15m (50ft.) max.
	Horizontal area	0.7m (28in.) (recommended)
Target object selector	S / M / L	
Sensitivity selector	H / M / L	
Camera control output	N.O. 28 VDC, 0.2 A x 4 outputs	
Master alarm output	Form C, 28 VDC, 0.2 A max.	
Trouble output	Form C, 28 VDC, 0.2 A max.	
Tamper output	N.C. 28 VDC, 0.1 A max.	
Environmental disqualification circuit	Form C, 28 VDC, 0.2 A max.	
Alarm period	Approx. 2 sec., Off delay timer	
Operating temperature	-20 to 60 °C (-4 to 140 °F)	
IP rating	IP66	
Dimensions (H x W x D)	334 x 144 x 155 mm (13.2 x 5.7 x 6.1 in.)	
Weight	2.4kg (85 oz.)	

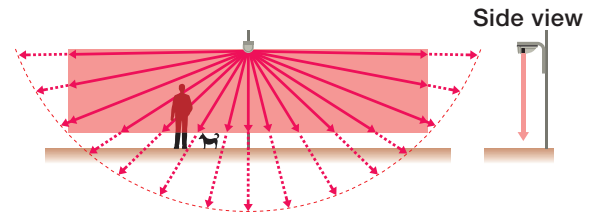
* Specifications and design are subject to change without prior notice.

DETECTION AREAS

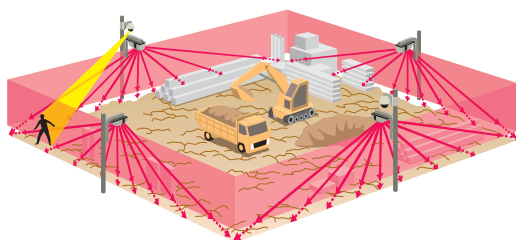
■ Image of horizontal detection area



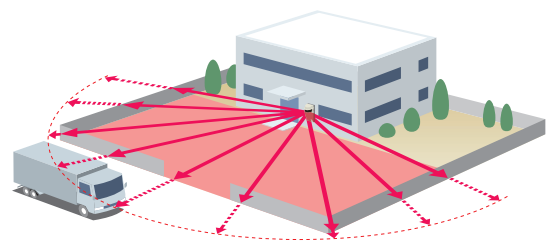
■ Image of horizontal detection area



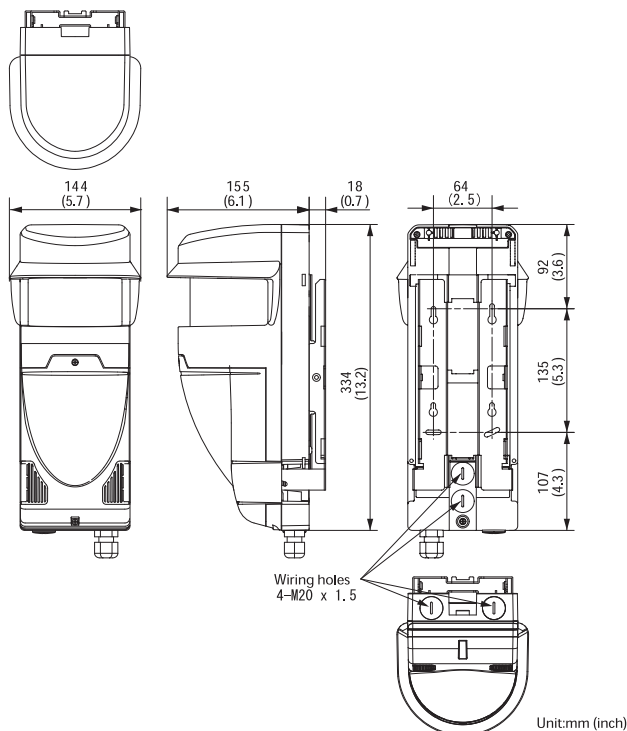
■ Vertical detection area example



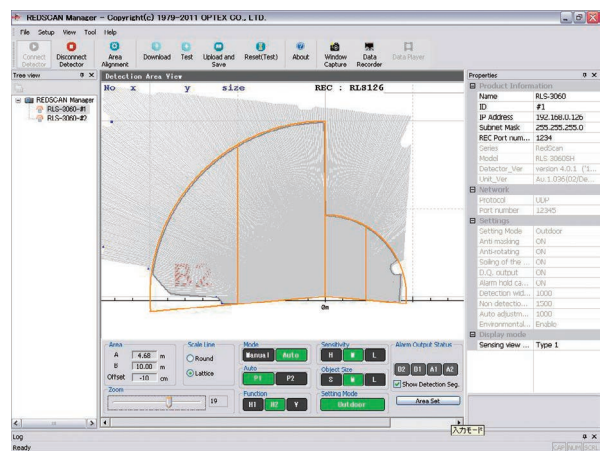
■ Horizontal detection area example



DIMENSIONS



REDSAN MANAGER (Optional software, but needed to set-up)



OPTEX CO., LTD.(JAPAN)
URL: <http://www.optex.net>

OPTEX INC. (U.S.)
URL: <http://www.optexamerica.com>

OPTEX DO BRASIL LTDA. (Brazil)
URL: <http://www.optex.net/br/es/sec>

OPTEX (EUROPE) LTD. / EMEA HQ (U.K.)
URL: <http://www.optex-europe.com>

OPTEX TECHNOLOGIES B.V. (The Netherlands)
URL: <http://www.optex.eu>

OPTEX SECURITY SAS (France)
URL: <http://www.optex-security.com>

OPTEX SECURITY Sp.z o.o. (Poland)
URL: <http://www.optex.com.pl>

OPTEX PINNACLE INDIA, PVT., LTD. (India)
URL: <http://www.optex.net/in/en/sec>

OPTEX KOREA CO.,LTD. (Korea)
URL: <http://www.optexkorea.com>

OPTEX (DONGGUAN) CO.,LTD. SHANGHAI OFFICE (China)
URL: <http://www.optexchina.com>

OPTEX (Thailand) CO., LTD. (Thailand)
URL: <http://www.optex.net/th/th>